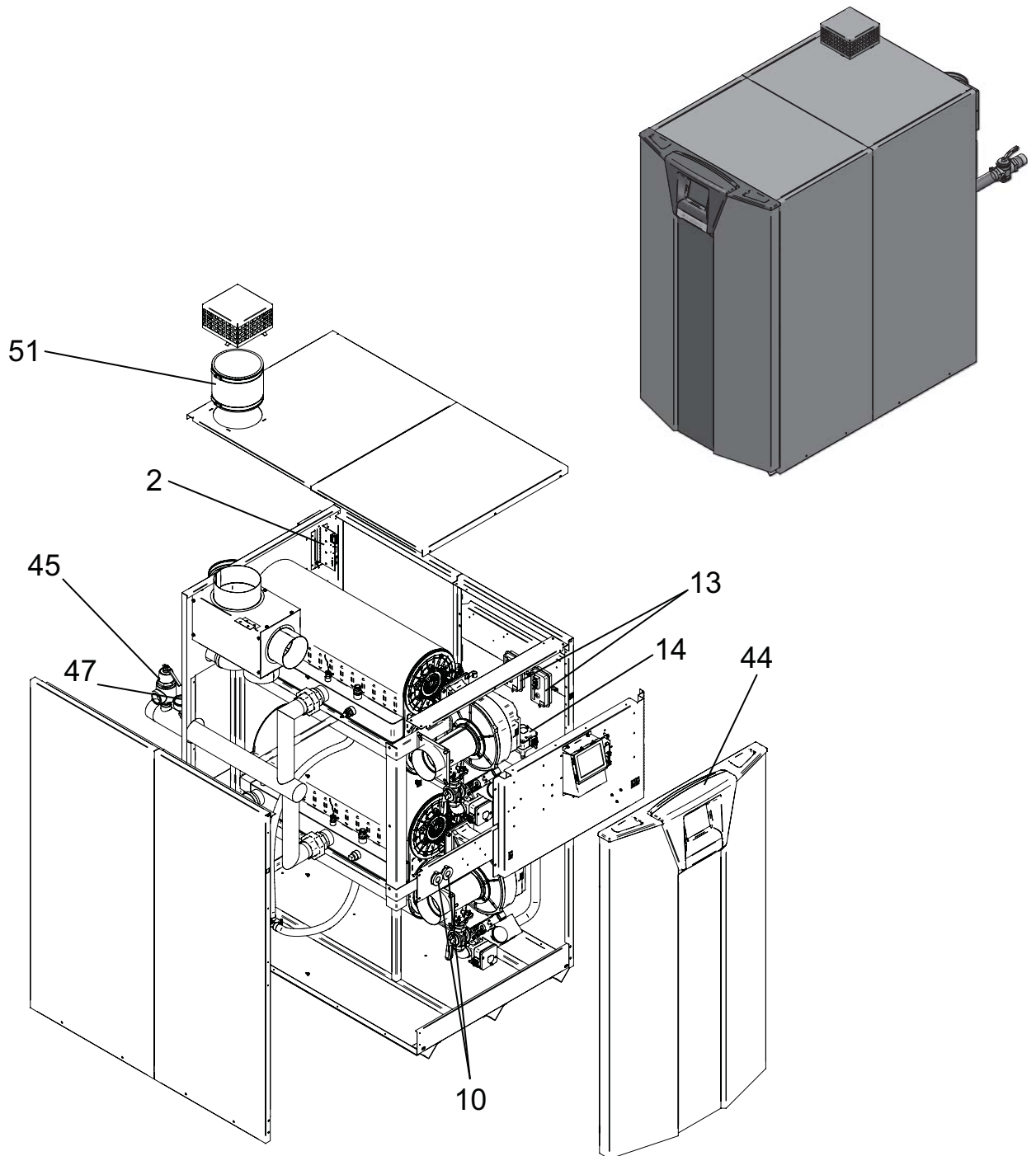




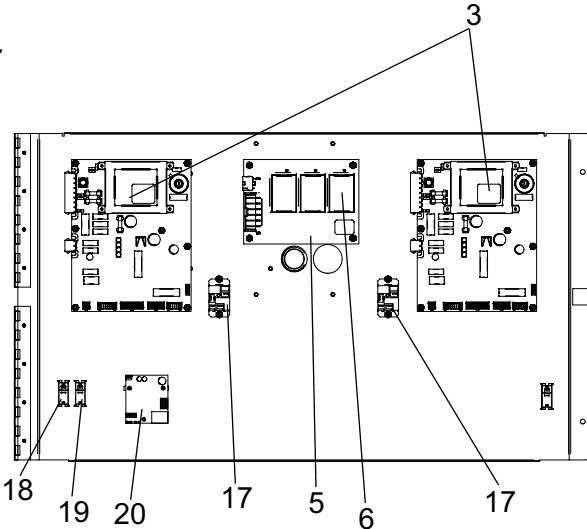
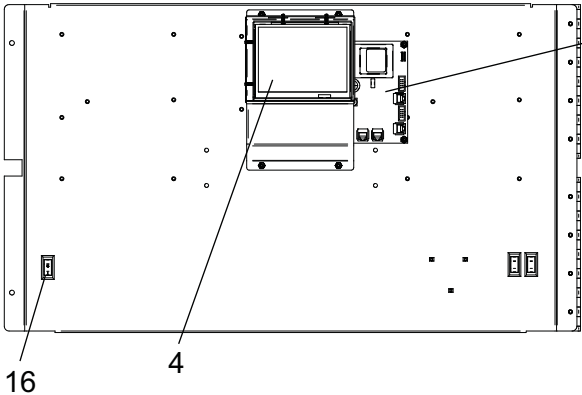
Replacement Parts List

PARTS & SERVICE DEPARTMENT
Nashville, Tennessee
615-889-8900 • Fax: 615-547-1000
www.Lochinvar.com

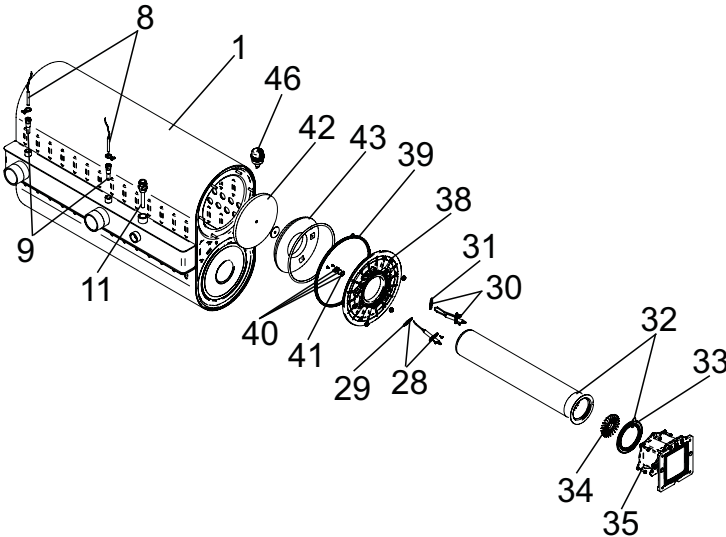
SYNC® Condensing Boilers SB 1000 - 1500



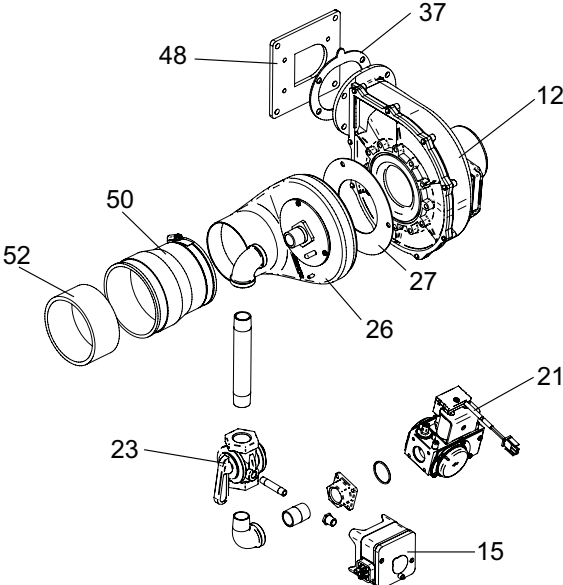
CONTROL PANEL ASSEMBLY



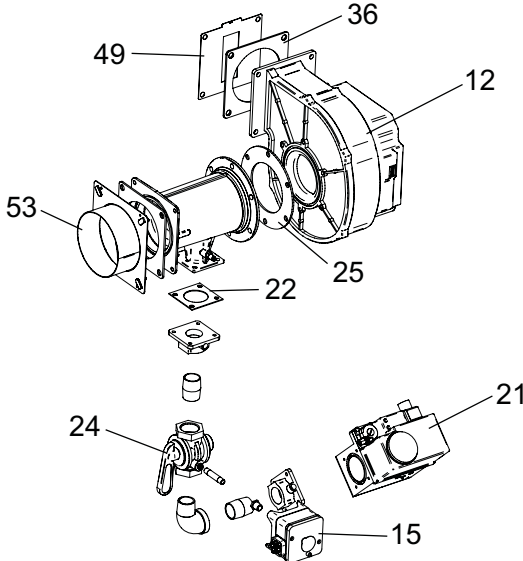
HEAT EXCHANGER ASSEMBLY



GAS TRAIN SB 1000



GAS TRAIN SB 1300, 1500



ITEM NO.	PART NO.	DESCRIPTION	MODEL NO.
HEAT EXCHANGER ASSEMBLY			
1	HEX30000	HEAT EXCHANGER	SBN/L1000
1	HEX30001	HEAT EXCHANGER	SBN/L1300
1	HEX30002	HEAT EXCHANGER	SBN/L1500
CONTROLS			
2	RLY20023	LOW VOLTAGE CONNECTION BOARD	ALL
3	RLY20027	INTEGRATED CONTROL	SBN/L1000
3	RLY20022	INTEGRATED CONTROL	SBN/L1300-1500
3	RLY30008	INTEGRATED CONTROL HIGH ALTITUDE	SBN/L1000
3	RLY30007	INTEGRATED CONTROL HIGH ALTITUDE	SBN/L1300-1500
4	RLY20006	USER INTERFACE CONTROL (LCD)	ALL
5	RLY2085	PUMP RELAY BOARD	ALL
6	RLY2222	1.5HP PUMP RELAY	ALL
7	RLY20020	ECS937 CONTROL BOARD	ALL
8	TST2032	INLET/OUTLET SENSOR	ALL
9	TST2044	BULB WELL, INLET/OUTLET SENSOR	ALL
10	HLC2701	MANUAL RESET HIGH LIMIT	ALL
11	TST2306	BULB WELL, HIGH LIMIT	ALL
12	FAN3037	FAN ASSEMBLY	SBN/L1000
12	FAN3038	FAN ASSEMBLY	SBN/L1300-1500
13	PRS2054	AIR PRESSURE SWITCH	ALL
13	PRS20018	AIR PRESSURE SWITCH (HIGH ALTITUDE)	ALL
14	PRS2046	GAS PRESSURE SWITCH, LOW	ALL
15	PRS2047	GAS PRESSURE SWITCH, HIGH	ALL
16	SWT2006	ON/OFF SWITCH	ALL
17	RLY2105	RELAY, 24VAC	ALL
18	SWT2002	MOMENTARY OFF SWITCH, RED	ALL
19	SWT2003	MOMENTARY OFF SWITCH, BLACK	ALL
20	WTR2220	MRLWCO BOARD	ALL
-	WTR2222	PROBE, LWCO	ALL
-	WTR20000	BOOT, LWCO	ALL
GAS VALVES			
21	VAL3207	GAS VALVE ASSEMBLY	SBN/L1000
21	VAL3213	GAS VALVE ASSEMBLY	SBN/L1300-1500
22	GKT2050	GAS VALVE GASKET	SBN/L1300-1500
23	GAC2028	GAS CUT OFF VALVE 3/4"	SBN/L1000
24	GAC2029	GAS CUT OFF VALVE 1X1	SBN/L1300-1500
25	GKT2049	GASKET, VENTURI	SBN/L1300-1500
26	VAL30003	AIR SHROUD ASSEMBLY	SBN/L1000
27	GKT2080	AIR SHROUD GASKET	SBN/L1000
-	GAC2031	GAS CUT OFF VALVE 1 1/2"	ALL
PILOT & BURNER ASSEMBLIES			
28	PLT3023	FLAME SENSOR W/ GASKET	ALL
29	GKT2450	GASKET, FLAME SENSOR	ALL
30	PLT30000	IGNITOR W/GASKET	ALL
31	GKT2449	GASKET, IGNITOR	ALL
32	BNR30000	BURNER W/ GASKET	SBN/L1000
32	BNR30001	BURNER W/ GASKET	SBN/L1300
32	BNR30002	BURNER W/ GASKET	SBN/L1500
33	GKT2062	GASKET, BURNER	ALL
34	MSC20031	STABILATOR	ALL

ITEM NO.	PART NO.	DESCRIPTION	MODEL NO.
PILOT & BURNER ASSEMBLIES (Continued)			
35	WTR20001	FLAP VALVE ASSEMBLY W/ GASKET	ALL
36	GKT2034	GASKET, FAN	ALL
37	GKT2438	GASKET, FAN	ALL
38	WTR3068	HEAT EXCHANGER ACCESS DOOR KIT	ALL
39	GKT2063	GASKET DOOR RUBBER	ALL
MISCELLANEOUS			
40	MSC3180	SIGHT GLASS	ALL
41	GKT2453	GASKET, SIGHT GLASS	ALL
42	FIB2167	DIVIDER PLATE, INSULATION BAFFLE	ALL
43	FIB2168	BURNER PLATE, INSULATION, DOOR	ALL
44	MSC2242	DISPLAY BEZEL	ALL
45	RLV2003	RELIEF VALVE 50 PSI	ALL
46	RLV2023	AIR VENT VALVE	ALL
47	GTP2900	GAUGE TRIOMETER, 75# PSI	ALL
48	JKB20001	ADAPTER, FAN	SBN/L1000
49	JKB60071	AIR SHUTTER	SBN/L1300
50	CPG2064	COUPLING 4"	SBN/L1000
51	CPG20000	COUPLING 6"	ALL
52	PVC20025	INLET STIFFENER	SBN/L1000
53	JKD5040	INLET ADAPTER	SBN/L1300-1500
-	FUS2000	1.25 AMP	ALL
-	FUS2001	3.15 AMP	ALL
-	FUS2002	5 AMP	ALL
-	TST2311	OUTDOOR AIR SENSOR	ALL
-	MSC2973	CONDENSATE TRAP	ALL
-	SWT2011	BLOCKED DRAIN SWITCH	ALL
-	TST3403	FLUE TEMP SENSOR KIT	ALL
-	KIT3046	NEUTRALIZER KIT	ALL
-	KIT3085	ALARM BELL KIT	ALL
-	KIT30047	SIDEWALL VENT KIT	ALL